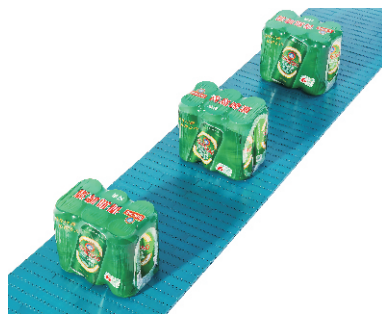
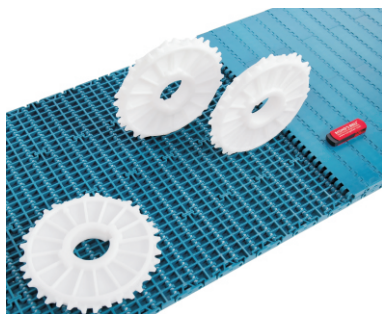
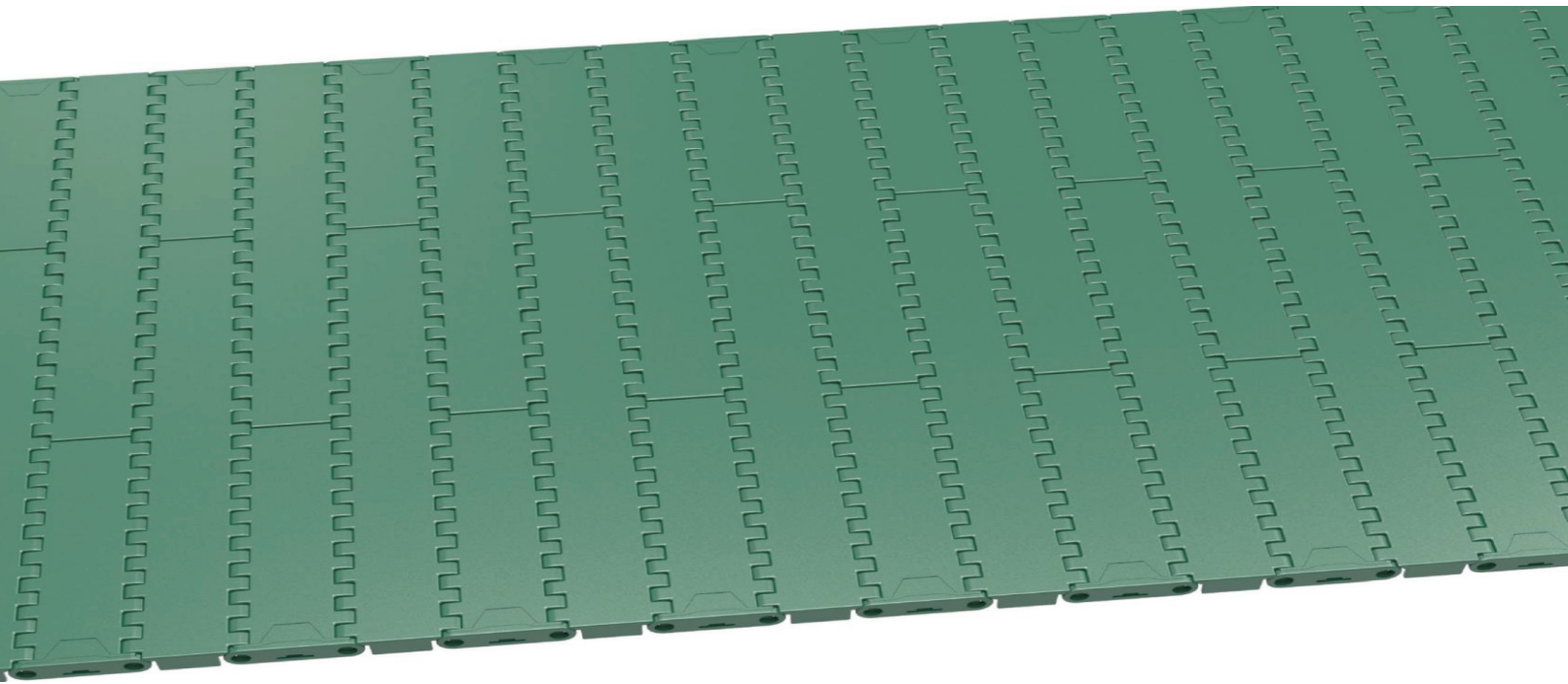


HS-F1000A Technical Data Sheet



| | |
|---|--|
| Pitch: 25.4mm Minimum Width: 85mm Open Area: 0% Approved: FDA Rod: Ø 4.5mm Flight: No Side Guard: No Curve: No | |
|---|--|

Data

| Belt Material | Belt Strength | | | Temperature | | Belt Weight |
|---------------|---------------|---------|-------|-------------|-----------|------------------------|
| | Straight | | Curve | °C (min.) | °C (max.) | (Kg / M ²) |
| | Kg/M(BW) | N/M(BW) | | | | |
| Acetal | 2200 | 22000 | -- | -40 | 80 | 7.80 |

BW – Belt Width

Color Table

| Polypropylene | | | | | Polyethylene | | | | | Acetal | | | | | Nylon | | | | |
|---------------|---|---|----|---|--------------|---|---|----|---|--------|---|---|----|---|-------|---|---|----|---|
| W | G | N | DB | B | W | G | N | DB | B | W | G | N | DB | B | W | G | N | DB | B |
| ● | ● | | | | | | | | | | | | | | | | | | |

W-White, G-Gray, N-Nature, DB-Dark brown, B-Blue

Friction Table

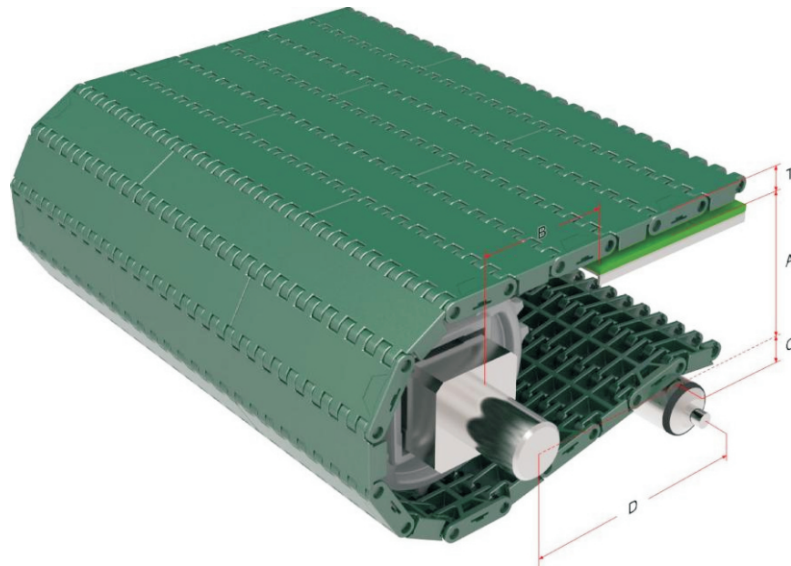
| Belt Material | Friction Wear strips & Products | | | | | | | |
|---------------|---------------------------------|------|-------|-------|------|---------|-----------|----------|
| | UHMW | HDPE | Steel | Glass | SUS | Plastic | Cardboard | Aluminum |
| Polypropylene | 0.32 | 0.24 | 0.15 | 0.09 | 0.13 | 0.08 | 0.15 | 0.25 |
| Polyethylene | 0.13 | 0.11 | 0.26 | 0.19 | 0.31 | 0.16 | 0.21 | 0.41 |
| Acetal | 0.11 | 0.09 | 0.27 | 0.16 | 0.26 | 0.15 | 0.19 | 0.28 |
| Nylon | 0.18 | 0.13 | 0.25 | 0.16 | 0.26 | 0.16 | 0.19 | 0.27 |

SUS – Stainless Steel

Equivalent type with other Brand

| Brand Name | Intralox | UNI | Rexnord | MCC | Habasit | KVP |
|---------------|----------|-----|---------|-----|---------|-----|
| Series & Type | 400 | | | | | |
| | - | | | | | |
| | - | | | | | |

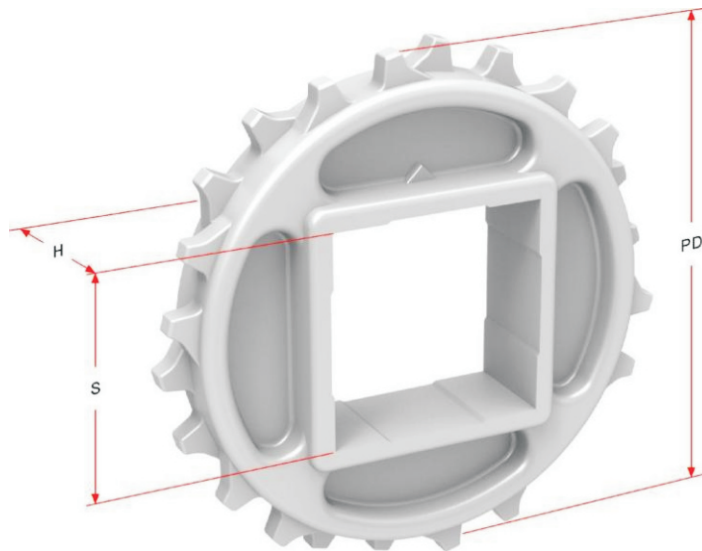
The above content is only for reference.



Conveyor Frame Dimensions

Unit : mm

| No. Teeth | A (Min.) | B (Min.) | C (Max.) | D (Min.) | T |
|-----------|-----------|-----------|-----------|-----------|-----|
| 12-2R | 44 | 59 | 44 | 200 | 8.6 |
| 18-2R | 70 | 84 | 70 | 200 | |
| 20-2R | 78 | 93 | 78 | 200 | |



Sprocket Dimensions

Unit: mm

| No. Teeth | PD | S | D | H | K |
|-----------|-----|-----------|----------------|----|------|
| 12-2R | 97 | 38.5/40.5 | 30.5 | 20 | 8*8 |
| 18-2R | 148 | 40.5/60.8 | 30.5/40.5/50.5 | 20 | 8*8 |
| 20-2R | 165 | 40.5/60.5 | 50.5 | 20 | 14*9 |